



EU DECLARATION OF CONFORMITY
DECLARACIÓN UE DE CONFORMIDAD



Certificado Nº SGI 3198065/11



Certificado Nº SGI 3198065/12

The company / *La Empresa:*

BASOR ELECTRIC, S.A.

Address / *Dirección:*

Av. Alcodar, 45-47, 46700. Gandía (VLC), Spain.

Declares that the product:

Declara que el producto:

BASORTRAY ERE WITH COVER / BASORTRAY ERE CON TAPA

Installed in accordance to the installation standards, manufacturer's instructions and professional rules, duly maintained and used for the applications as intended.

Instalado de acuerdo con las normas de instalación, instrucciones del fabricante y conforme a las reglas profesionales, debidamente mantenido y utilizado en las aplicaciones para las que está previsto.

Complies with the essential requirements of the Council Directives:

Cumple con los requisitos esenciales de las Directivas del Consejo:

2014/35/UE (Low Voltage Directive) / (Directiva de Baja Tensión)

Incorporated in the Spanish Legislation in: R.D. 187/2016.

Incorporado en la Legislación Española en: R.D. 187/2016.

And it is suitable and safe for the intended use and it is in conformity with the following standard:

Es adecuado y seguro para el uso a que está destinado y es conforme con la siguiente norma:

UNE EN 50085-1

UNE EN 50085-2-1

Additional information:

Información adicional:

This product is intended to be installed and maintained by skilled persons, it may be used by ordinary persons only as a replacement part, to substitute for an identical device.

Este producto está previsto para ser instalado y mantenido por un profesional, puede ser usado por una persona no formada para reemplazamiento de uno idéntico.

Place and date:

Lugar y fecha:

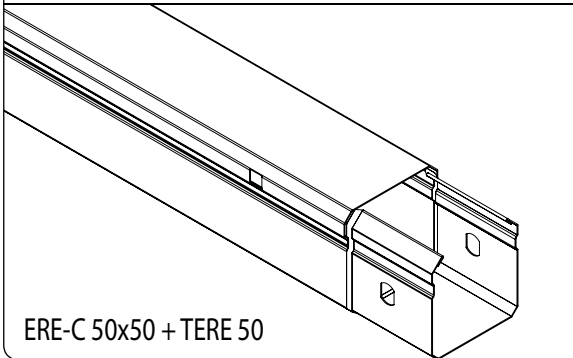
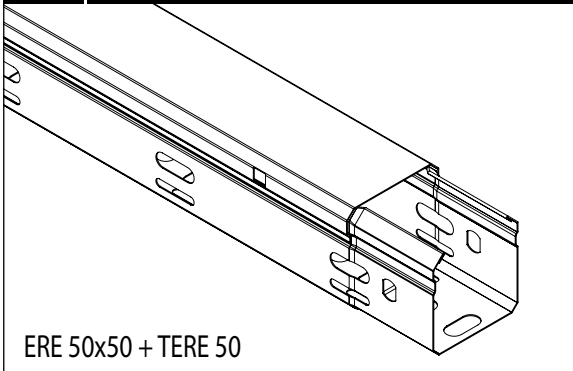
Gandía April 2016

Gandía Abril 2016

Technical department / *Departamento Técnico*



ERE 50X50 WITH COVER



Model: 50x50

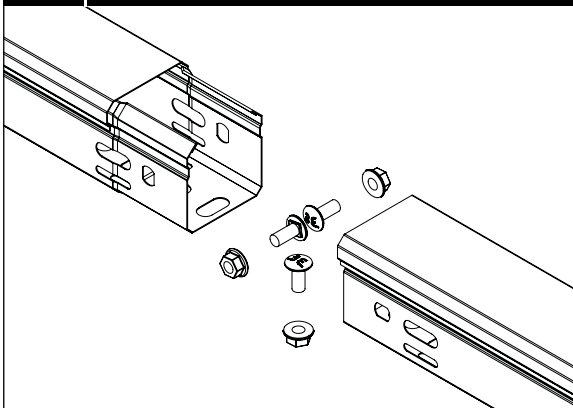
Finishes: PG; HDG.

Characteristics of the trunking:

- Metallic system
- Impact Strength: 5J
- Minimum temperature of storage: -45 °C
- Minimum temperature of installation: -25 °C
- Maximum temperature of 120 °C
- Non-flame propagating component
- System with electrical continuity
- Without electric isolation
- Degree of protection:
 - Non-drilled tray ERE-C 50x50 + Cover TERE 50 : IP3X
 - Drilled tray ERE 50x50 + Cover TERE 50 : IP2X
- Average indoor and outdoor protection against corrosive substances
- Access cover can be opened without tools
- With the possibility of additional internal separation wall protection

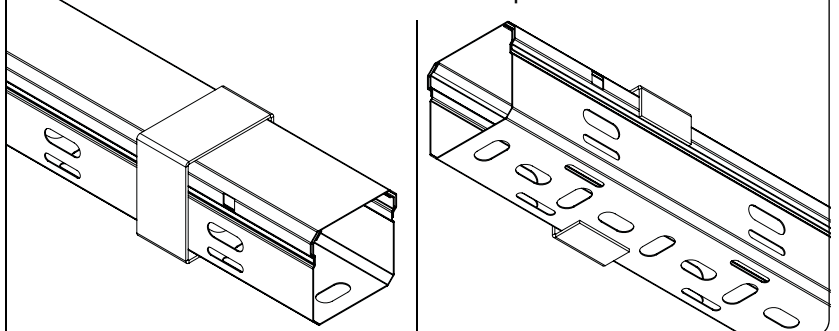


ASSEMBLING INSTRUCTIONS



- Set up the self-assembly system 2 B1 bolt sets are needed for each cable tray and no union is needed.
- The cover and the cover clamp is secured by pressure.
- The tray installation for an electrical system should NOT run under other types of canalizations such as water, vapour or gas.
- To guarantee a good ventilation we recommend installing the trays keeping a minimum distance of 250 mm between each tray.
- Trays which are placed on supports shall have to keep a gap of 20 mm from the wall to allow for a correct ventilation of the cables.

ERE 50X50 detail with cover clamp PTER 50X50



Accessories:

This family has large array of accessories: Cover TERE 50, cover clamp PTER 50X50, horizontal bend CPER 50X50, vertical inside bend CCER 50X50, vertical outside bend CXER 50X50, union joint JUER 50X50 and end cover TFERE 50.